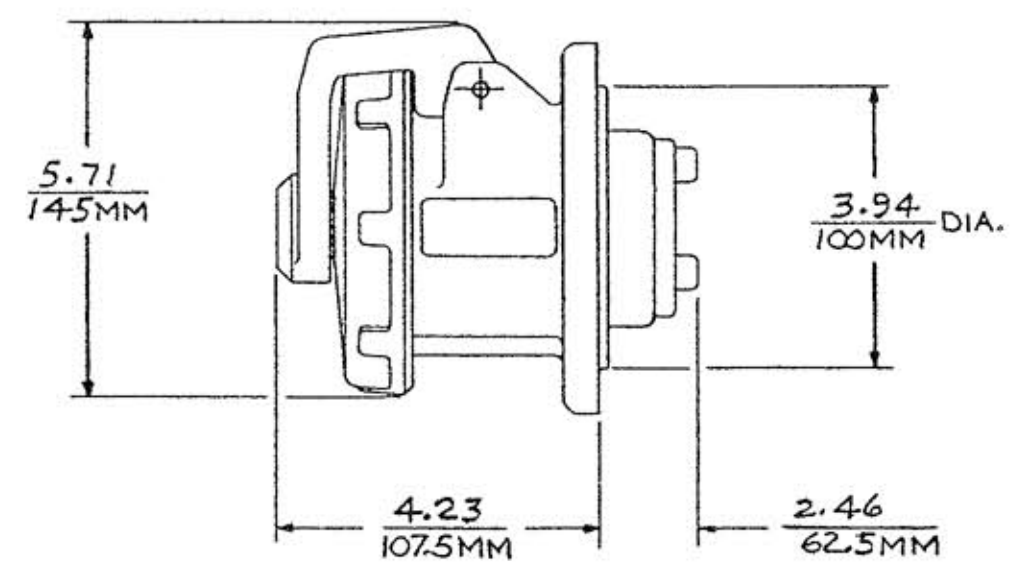
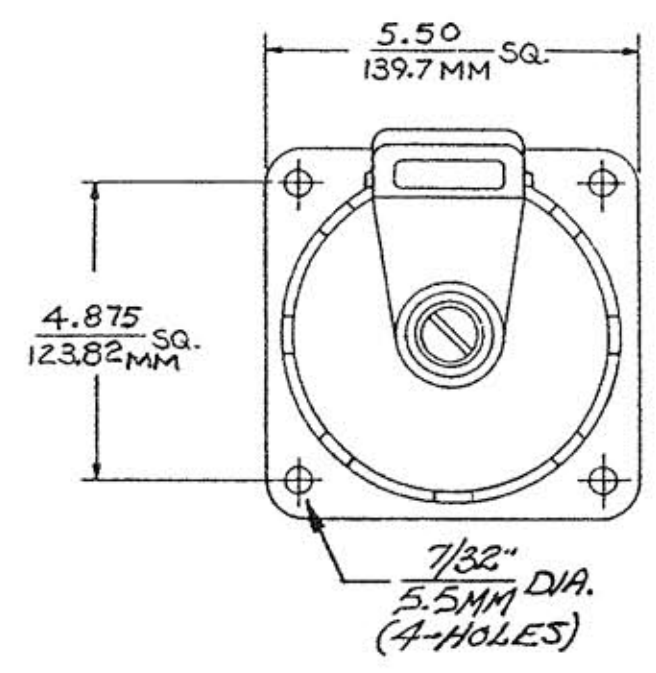


M-7674 2



LIST OF PARTS		
DESCRIPTION	MATERIAL	FINISH
HOUSING	NYLON	
INTERIOR	THERMOSET	
SLEEVE	BRASS	NICKEL
TERMINAL SCREWS	STAIN. STL.	
COVER	POLYESTER	
COVER SCREW	BRASS	NICKEL
COVER SPRING	STAIN. STL.	
GASKET	RUBBER	
DISC	POLYCARB	
ARM	POLYESTER	
HINGE PIN	STAIN. STL.	
HINGE SPRING	STAIN. STL.	
ASSY SCREW	STAIN. STL.	

DIMENSION SHEET FOR CAT. NO.

REPAIRABLE  NON-REPAIRABLE

CAT. No	CONFIGURATION	RATING	CAT. No.	CONFIGURATION	RATING
			M5100R9		100A 3ØY 120/208 VAC
			M5100R7		100A 3ØY 277/480 VAC

SYM	REVISIONS	APP	DATE
2	ADDED CAT. # M5100R7; ADDED "NICKEL" TO SLEEVE FINISH IN TABLE PER DCN #12377. JMN	CJC	6/7/05
1	RELEASE PER DCN 4455		8-22-96

THE DESIGN AND DIMENSIONS OF THE PRODUCT SHOWN ON THIS DRAWING ARE SUBJECT TO CHANGE WITHOUT NOTICE.

B  
M-7674

NOTES:  
1. ALL DECIMAL DIM. TOLS. TO BE ± .03.

TITLE  
100A. 5 WIRE  
PIN & SLEEVE  
RECEPTACLE

TOLERANCES UNLESS OTHERWISE SPECIFIED	WIRING DEVICE DIVISION <b>HARVEY HUBBELL, INC.</b> BRIDGEPORT, CONN.	
FRACTIONS ± 1/64	DR BY <i>RMS</i>	APP. BY
DECIMALS	TR. BY	SCALE 1:1
ANGLES ± 2°	CHK'D. BY	DATE 8-22-96